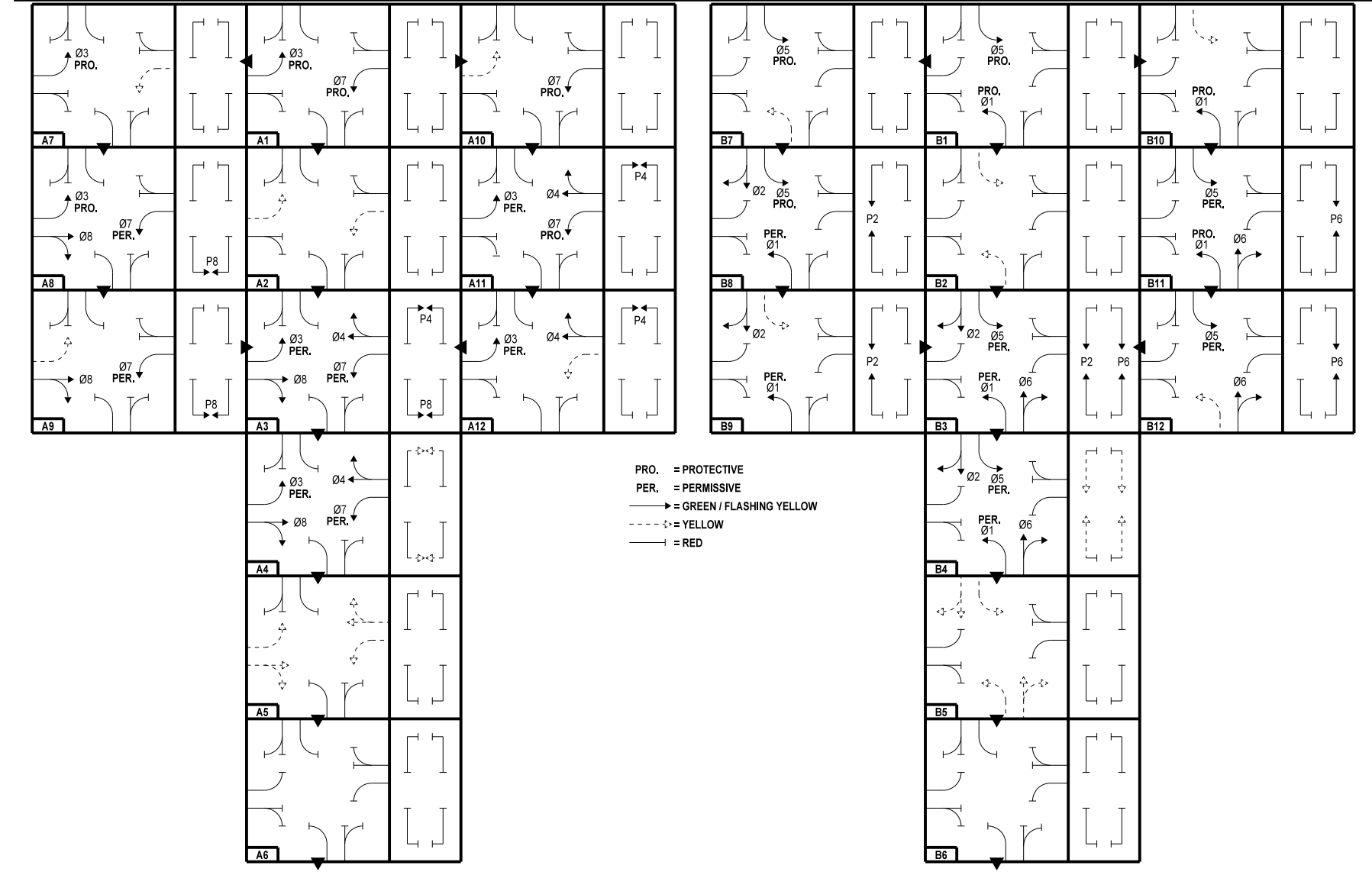


REVISIONS		
NO.	DESCRIPTION	DATE

PHASING DIAGRAM

PHASE "A"						PHASE "B"					
RENO AVE.						WESTERN AVE.					



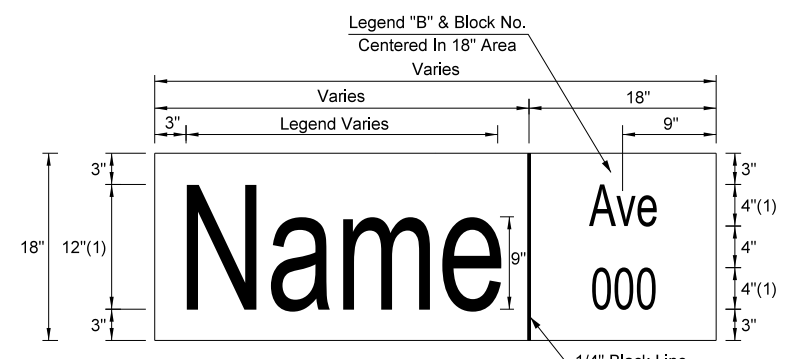
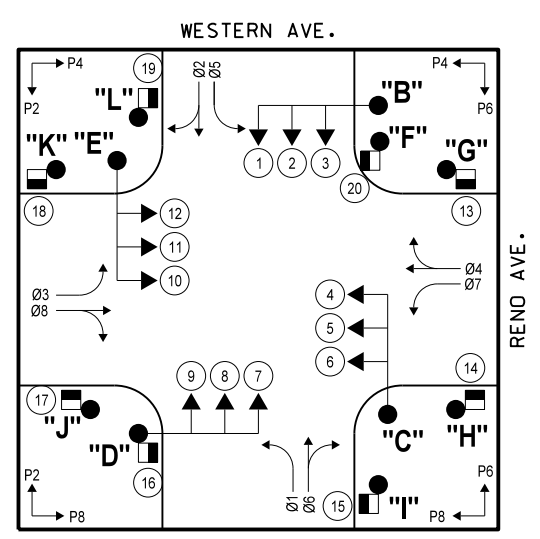
PRO. = PROTECTIVE
 PER. = PERMISSIVE
 — = GREEN / FLASHING YELLOW
 - - - = YELLOW
 — = RED

TO: A1, A8, A11, B1, B3, B8 OR B11

TO: B1, B8, B11, A1, A3, A8 OR A11

DIRECTION	BLOCK NO.	PHASE											
		Ø1	Ø6	Ø3	Ø8	Ø5	Ø2	Ø7	Ø4	P6	P8	P2	P4
		SIGNAL HEAD NO.											
		1	2,3	4	5,6	7	8,9	10	11,12	13,14	15,16	17,18	19,20
Ø3, Ø7 ROW	A1	←R	R	←G	R	←R	R	←G	R	DW	DW	DW	DW
Ø3, Ø7 CL	A2	←R	R	←Y	R	←R	R	←Y	R	DW	DW	DW	DW
Ø3, Ø4, Ø7, Ø8, P4, P8 ROW	A3	←R	R	←F	G	←R	R	←F	G	DW	W	DW	W
Ø3, Ø4, Ø7, Ø8 ROW & P4, P8 CL	A4	←R	R	←Y	G	←R	R	←Y	G	DW	FDW	DW	FDW
Ø3, Ø4, Ø7, Ø8 CL	A5	←R	R	←Y	Y	←R	R	←Y	Y	DW	DW	DW	DW
ALL RED	A6	←R	R	←R	R	←R	R	←R	R	DW	DW	DW	DW
Ø3 ROW & Ø7 CL	A7	←R	R	←G	R	←R	R	←Y	R	DW	DW	DW	DW
Ø3, Ø8, Ø7, P8 ROW	A8	←R	R	←G	G	←R	R	←F	R	DW	W	DW	DW
Ø8, Ø7, P8 ROW & Ø3 CL	A9	←R	R	←Y	G	←R	R	←F	R	DW	W	DW	DW
Ø7 ROW & Ø3 CL	A10	←R	R	←Y	R	←R	R	←G	R	DW	DW	DW	DW
Ø4, Ø7, Ø3, P4 ROW	A11	←R	R	←F	R	←R	R	←G	G	DW	DW	DW	W
Ø4, Ø3, P4 ROW & Ø7 CL	A12	←R	R	←F	R	←R	R	←Y	G	DW	DW	DW	W
Ø5, Ø1 ROW	B1	←G	R	←R	R	←G	R	←R	R	DW	DW	DW	DW
Ø5, Ø1 CL	B2	←Y	R	←R	R	←Y	R	←R	R	DW	DW	DW	DW
Ø1, Ø2, Ø5, Ø6, P6, P2 ROW	B3	←F	G	←R	R	←F	G	←R	R	W	DW	W	DW
Ø1, Ø2, Ø5, Ø6 ROW & P6, P2 CL	B4	←F	G	←R	R	←F	G	←R	R	FDW	DW	FDW	DW
Ø1, Ø2, Ø5, Ø6 CL	B5	←Y	Y	←R	R	←Y	Y	←R	R	DW	DW	DW	DW
ALL RED	B6	←R	R	←R	R	←R	R	←R	R	DW	DW	DW	DW
Ø5 ROW & Ø1 CL	B7	←Y	R	←R	R	←G	R	←R	R	DW	DW	DW	DW
Ø5, Ø2, Ø1, P2 ROW	B8	←F	R	←R	R	←G	G	←R	R	DW	DW	W	DW
Ø2, Ø1, P2 ROW & Ø5 CL	B9	←F	R	←R	R	←Y	G	←R	R	DW	DW	W	DW
Ø1 ROW & Ø5 CL	B10	←G	R	←R	R	←Y	R	←R	R	DW	DW	DW	DW
Ø6, Ø1, Ø5, P6 ROW	B11	←G	G	←R	R	←F	R	←R	R	W	DW	DW	DW
Ø6, Ø5, P6 ROW & Ø1 CL	B12	←Y	G	←R	R	←F	R	←R	R	W	DW	DW	DW
FLASHING OPERATION	-	←FR	FR	←FR	FR	←FR	FR	←FR	FR	-	-	-	-

INTERSECTION PHASING & SIGNAL HEAD NO.'S

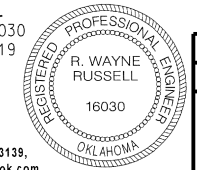


(1) LEGEND: Black (Non-Reflectorized), ClearviewHwy-1-B, Half Spacing
 BACKGROUND: White (Reflectorized)

SUMMARY OF MAST ARM MOUNTED SIGNS							
LEGEND "A"	LEGEND "B"	POLE LOCATION	NO. OF SIGNS	SIGN LENGTH (IN.)	SIGN HEIGHT (IN.)	SIGN AREA (SQ. FT.)	TOTAL AREA (SQ. FT.)
Reno	Ave	B,D	2	54	18	6.75	13.50
Western	Ave	C,E	2	72	18	9.00	18.00
R10-12M	-	B,C,D,E	4	30	36	7.50	30.00
TOTAL							61.50

NOTE: THE CONTRACTOR SHALL CONTACT THE CITY OF OKLAHOMA CITY TO OBTAIN THE BLOCK NO.

R. Wayne Russell
 R. WAYNE RUSSELL, P.E. # 16030
 C.A. # 1160, RENEWAL 06-30-19



8-8-17
 DATE

Traffic Engineering Consultants, Inc.
 6000 S. Western, Suite 300 - Oklahoma City, OK 73139,
 Ph: 405-720-7721, Fax: 405-720-9848, Web: www.tecok.com

Design RWR 08/08/17
 Drawn CCC 08/08/17



**SIGNAL DETAIL PLAN
 WESTERN AVE. & W. RENO AVE.**

State Job No. 17428(88) Sheet No. 145

08/08/17 G:\Projects\1-247A Downtown Blvd WP 5.1B Task 5\CAD\WESTERN & RENO DET.dgn